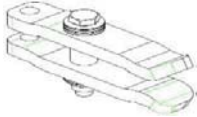



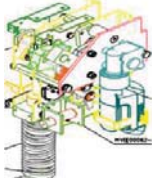


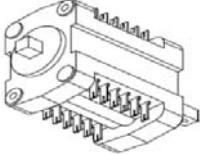
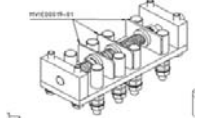
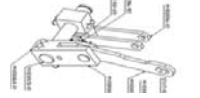
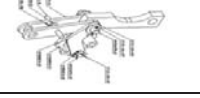



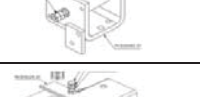

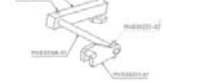
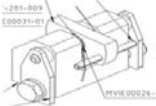

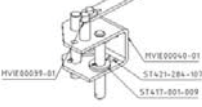




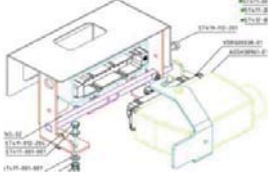
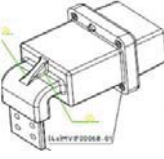
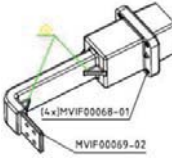
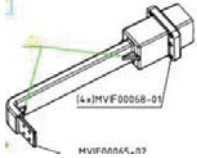
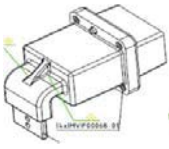
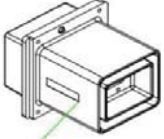

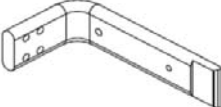
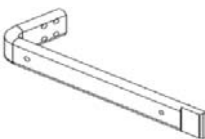
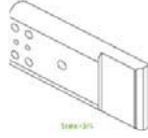

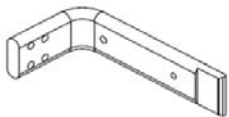
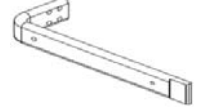
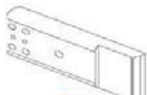






<b>PIX - MV</b>			
Description		Component Reference	Qty Per VCB
<b>ISOLATING CONTACT - FLAT TYPE</b>			
	800/1250A	MVIG00134-01	12
	2000A	MVIG00134-01	24
<b>VACUUM INTERRUPTER</b>			
	VG2	MST10SG200300NA	3
	VG3	MST10SG300100NA	3
<b>BREAKER HOUSING</b>			
	HVX-LR	DRC006260-01	1
	HVX-HR	DRC006259-01	3
	Insulating Rod	MVIG00255-01_S	3
<b>VCB OPERATING MECHANISM</b>			
	VCB Operating Mechanism (Mention Coil & Motor Voltage)	VDRE00001-05-LR110	1
<b>Closing Coil</b>			
	24VDC - CN 1176	ECO27SN117600FN	1

Description		Component Reference	Qty Per VCB
	30VDC - CN1177	ECO27SN117700FN	1
	48VDC - CN1178	ECO27SN117800FN	1
	110VDC - CN1179	ECO27SN117900FN	1
	220VDC - CN1180	ECO27SN118000FN	1
<b>Tripping Coil</b>			
	24VDC - OG 835	ECO27SOG83500FN	1
	30VDC - OG 836	ECO27SOG83600FN	1
	48VDC - OG 837	ECO27SOG83700FN	1
	110VDC - OG 838	ECO27SOG83800FN	1
	220VDC - OG 839	ECO27SOG83900FN	1
Description		Component Reference	Qty Per VCB
<b>Spring Charging Motor</b>			
	110V AC/DC	VDRE00100-01	1
	220V AC/DC	VDRE00100-02	1
<b>Breaker Auxiliary Switch</b>			
	6NO + 6NC	MVIG00242-01	1
<b>Other Mechanism Components</b>			
	Motor Cut-off Switch	MVIE00016-01	1
	Main Drive Shaft Assembly	MVIE00062-01	1
	Trip Fork Linkage Assembly	MVIE00072-01	1
	Ratchet Wheel	MVIE00151-01	1
	Pin For Ratchet.	MVIE00079-01	1
	Handle Block Assembly	MVIE00137-01	1
	Closing Coil Box Assembly (Without coil)	MVIE00082-01	1
	Trip Coil Box Assembly (Without Coil)	MVIE00231-01	1
Description		Component Reference	Qty Per VCB
	Motor Cut Off Lever Assy	MVIE00173-01	1



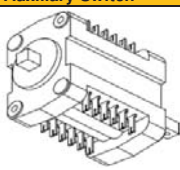
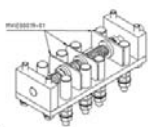
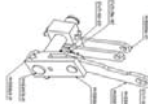
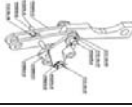


Description	Component Reference	Qty Per VCB	
	Trip Prop Support Assembly	MVIE00023-01	1
	Release Lever	MVIE00123-02	1
	Pin For Release Lever	MVIE00136-01	1
	Auxiliary Switch Drive Assembly	MVIE00034-01	1
	Charging Pawl	MVIE00106-01	1
	Charging Pawl	MVIE00109-01	1
	Buffer For Spring	MVIE00060-01	1
	Over Ride Stop	MVIE00013-09	1
	Over Ride Stop Pin	MVIE00232-01	1
<b>SECONDARY PLUG &amp; SOCKET COMPONENTS</b>			
	24 Pin Plug & Socket Assembly	MVIG00507-01	
Description	Component Reference	Qty Per VCB	
<b>BUSBAR AND CABLE CHAMBER ARRANGEMENT (MENTION PANEL SERIAL NO.)</b>			
	800A, R Phase Busbar Spout	MVIF00072-02	1
	800A, Y Phase Busbar Spout	MVIF00070-02	1
	800A, B Phase Busbar Spout	MVIF00066-02	1

Description	Component Reference	Qty Per VCB	
	800A, Circuit Spout	MVIF00073-02	3
	1250A, R Phase Busbar Spout	MVIF00072-01	1
	1250A, Y Phase Busbar Spout	MVIF00070-01	1
	1250A, B Phase Busbar Spout	MVIF00066-01	1
	1250A, Circuit Spout	MVIF00073-01	3
	2000A, R,Y,B Phase Busbar Spout /Circuit Spout	VDRF00100-01	6
 <p>Scale:-1/4</p>	2000A, R Phase Busbar Spout Connection - Cassete Type Panel	VDRF00182-01	1
Description	Component Reference	Qty Per VCB	
	2000A, Y Phase Busbar Spout Connection - Cassete Type Panel	VDRF00181-01	1
	2000A, B Phase Busbar Spout Connection - Cassete Type Panel	VDRF00180-01	1
 <p>Scale:-1/4</p>	2000A, Circuit Spout Connection - Cassete Type Panel	VDRF00183-01	3
 <p>Scale:-1/4</p>	2000A, R Phase Busbar Spout Connection - ROF Type Panel	VDRF00182-04	1
	2000A, Y Phase Busbar Spout Connection - ROF Type Panel	VDRF00181-05	1
	2000A, B Phase Busbar Spout Connection - ROF Type Panel	VDRF00180-05	1
 <p>Scale:-1/4</p>	2000A, Circuit Spout Connection - ROF Type Panel	VDRF00183-02	3
<b>RACKING, SHUTTER AND EARTHING ARRANGEMENT</b>			
	Rack -In /Rack -Out Handle - ROF Panel	VDRG00157-01	1

## NWC

Description	Component Reference	Qty Per VCB
	Rack -In /Rack -Out Handle - Cassette Type Panel ST424-801-021	1
	Spring Charging Handle MVIF00142-01	1
Description	Component Reference	Qty Per VCB
	Limit Switch Assembly MVIF00372-01	1

## PCOB-36

Description	Component Reference	Qty Per VCB
<b>Closing Coil</b>		
	24VDC - CN 1176 ECO27SN117600FN	1
	30VDC - CN1177 ECO27SN117700FN	1
	48VDC - CN1178 ECO27SN117800FN	1
	110VDC - CN1179 ECO27SN117900FN	1
	220VDC - CN1180 ECO27SN118000FN	1
<b>Tripping Coil</b>		
	24VDC - OG 835 ECO27SOG83500FN	1
	30VDC - OG 836 ECO27SOG83600FN	1
	48VDC - OG 837 ECO27SOG83700FN	1
	110VDC - OG 838 ECO27SOG83800FN	1
	220VDC - OG 839 ECO27SOG83900FN	1
<b>Spring Charging Motor</b>		
	110V AC/DC VDRE00100-01	1
	220V AC/DC VDRE00100-02	1
<b>Breaker Auxiliary Switch</b>		
	6NO + 6NC MVIC00242-01	1
<b>Other Mechanism Components</b>		
	Motor Cut-off Switch MVIE00016-01	1
	Main Drive Shaft Assembly MVIE00062-01	1
	Trip Fork Linkage Assembly MVIE00072-01	1
	Ratchet Wheel MVIE00151-01	1
	Pin For Ratchet. MVIE00079-01	1
Description	Component Reference	Qty Per VCB